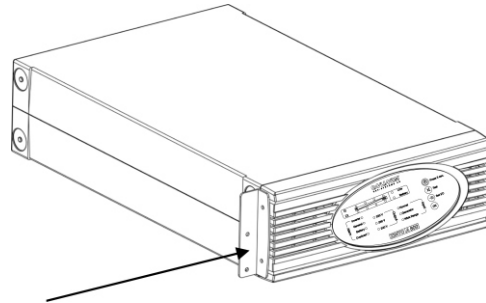


ZINTO A 800 / 1000: Rack Installation

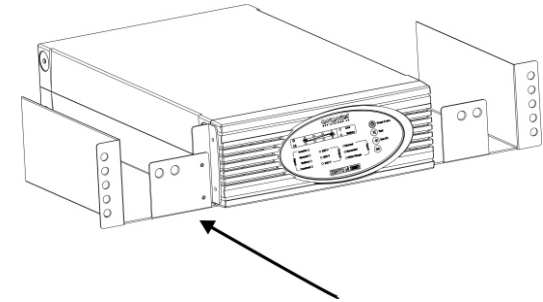
Rails are not in the scope of delivery, please order optional (Part-No. RACK-KIT).

Step **1**



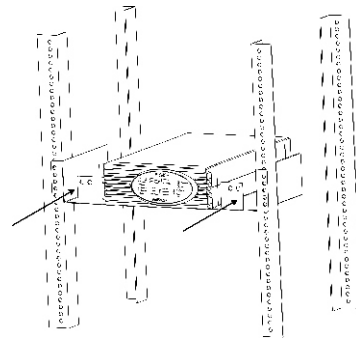
Mount the UPS fixing bracket

Step **2**



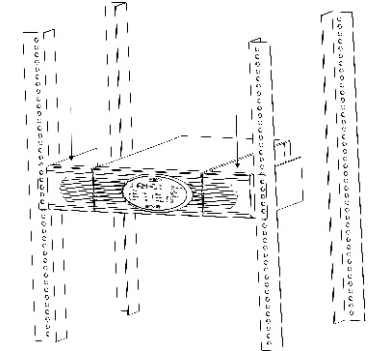
Fix the UPS to the mounting plate

Step **3**



Position and fix the complete system in the rack

Step **4**



Assemble the cover